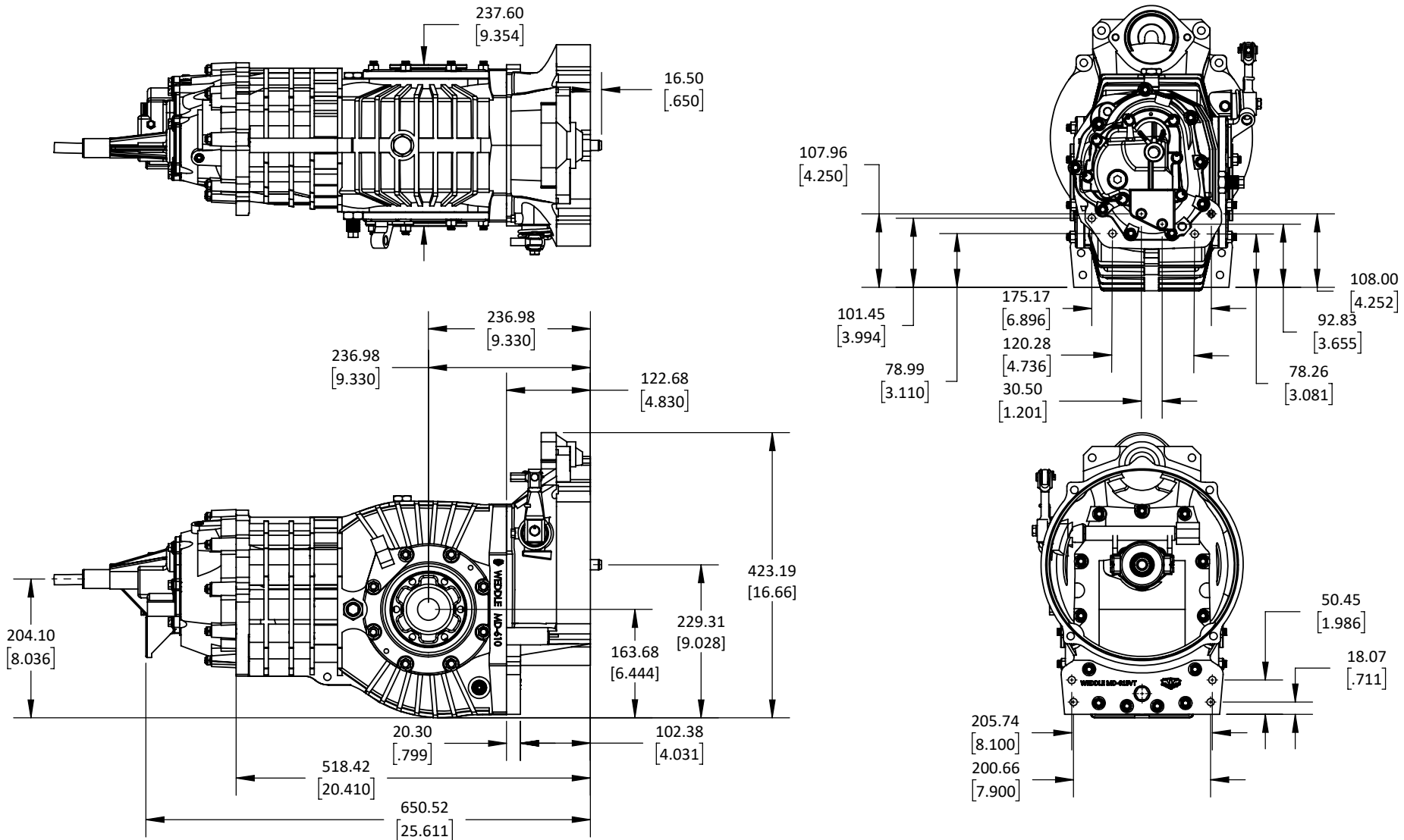


# WEDDLE MD2D EXTERNAL REFERENCE DIMENSIONS



**Notes:**

1. Dimensions are approximate.
2. Input splines:  $\varnothing$  25.40mm, 23 splines, 30° P.A. (Porsche G50 splines)
3. Complete transaxle weights 57 kg (126lb.)



7200 Hollister Ave, Suite C  
 Goleta, CA 93117  
 Ph 805-562-8600 • Fax 805-562-8661  
 info@weddleindustries.com

Drawing No: MD-DIM-MD2D  
 Drawing Name: MD2D External Reference Dims  
 Drawn By: DL  
 Revised: 3/17/2022