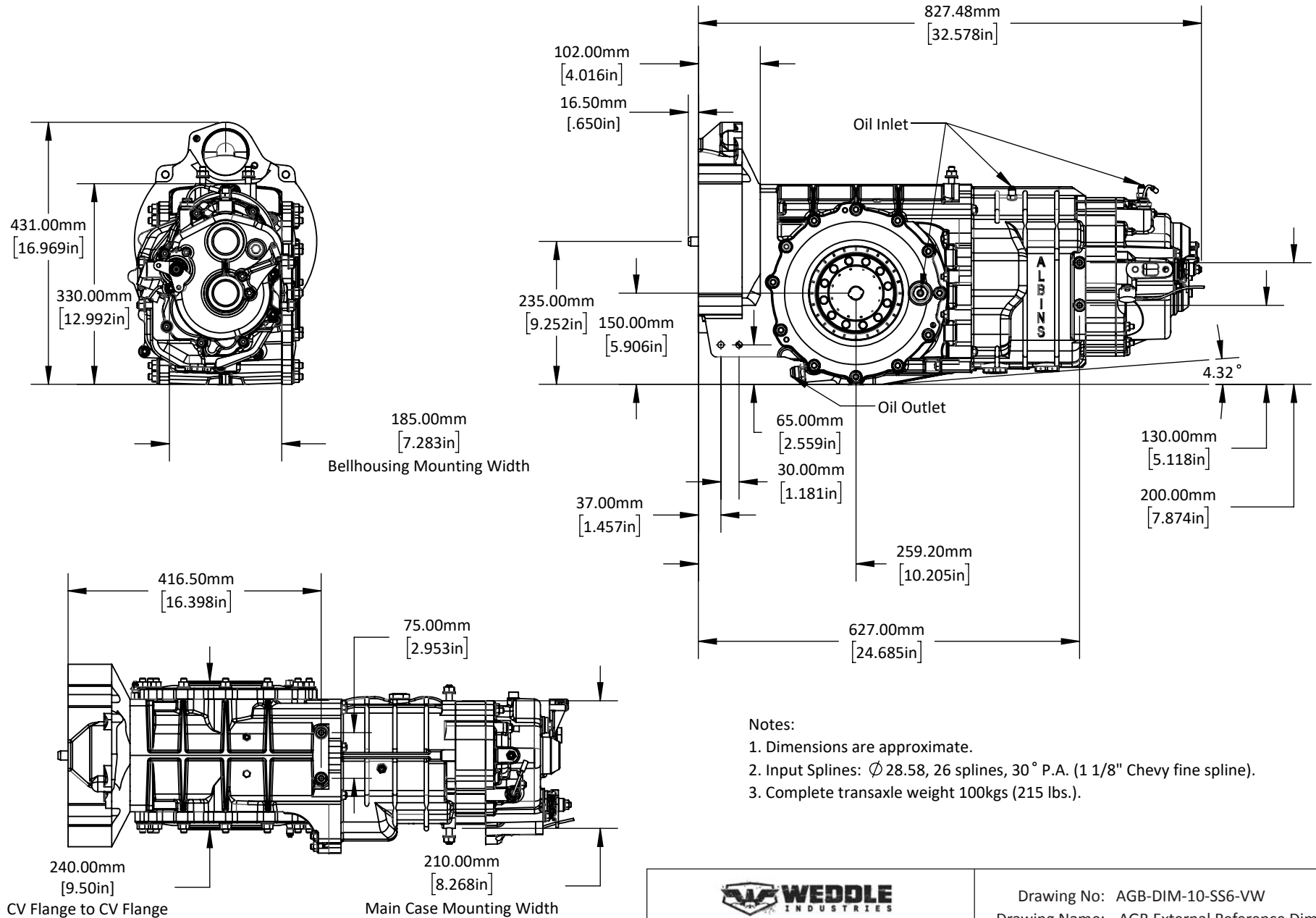


AGB 10" 6 SPEED SEQUENTIAL VW BELLHOUSING EXTERNAL REFERENCE DIMENSIONS



- Notes:
1. Dimensions are approximate.
 2. Input Splines: \varnothing 28.58, 26 splines, 30° P.A. (1 1/8" Chevy fine spline).
 3. Complete transaxle weight 100kgs (215 lbs.).



7200 Hollister Ave, Suite C
 Goleta, CA 93117
 Ph 805-562-8600 • Fax 805-562-8661
 info@weddleindustries.com

Drawing No: AGB-DIM-10-SS6-VW
 Drawing Name: AGB External Reference Dims
 Drawn By: DL
 Revised: 06/9/2022