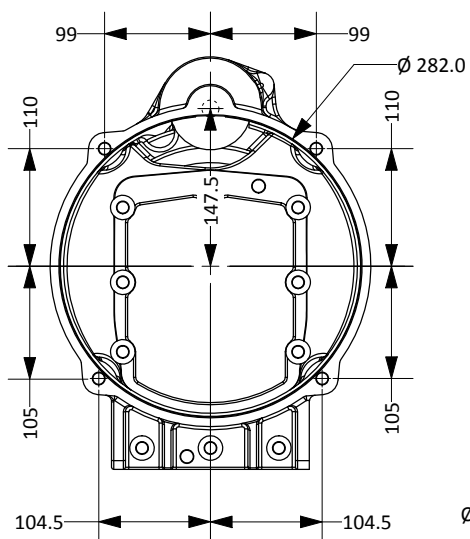
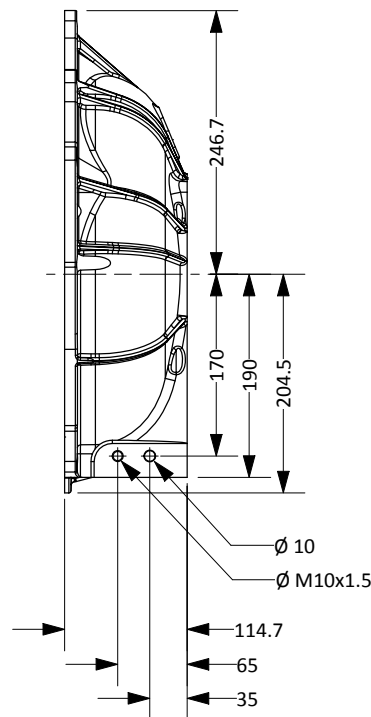
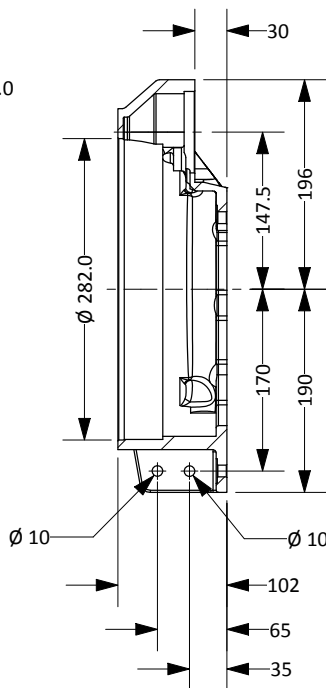


AGB BELL HOUSING OPTIONS - EXTERNAL DIMENSIONS



VW BELL HOUSING



CHEVY BELL HOUSING

NOTES:

- For most non-Chevy applications, the VW bell housing is used with a 12.7mm (.500") thick adapter plate. Adapter kits for many different engines are available from Weddle Industries.
- The Chevy bell housing is 12.7mm (.500") longer than the VW bell housing.

STARTERS:

- For VW bell housing, starter is located at top center of trans. Use starter part # 9101 or 9101-XHD.
- For Chevy bell housing, starter mounts on engine block in stock location. Use starter part # 910-LS, 910-CHEV, or 910-CHEV-XHD.

CLUTCHES:

- VW bell housing will accept clutches up to 228mm (9") in diameter
- Chevy bell housing will accept clutches up to 280mm (11") in diameter.
- High performance 7.25", 9", 10.5", and 11" clutch packages are available from Weddle Industries. Call for more info.

Dimensions in Millimeters



7200 Hollister Ave, Suite C
 Goleta, CA 93117
 Ph 805-562-8600 • Fax 805-562-8661
 info@weddleindustries.com

Drawing No: 4223-BHO
 Drawing Name: AGB Bell Housing Options
 Drawn By: A.H. April 29, 2008
 Revised: C.W. March 1, 2011